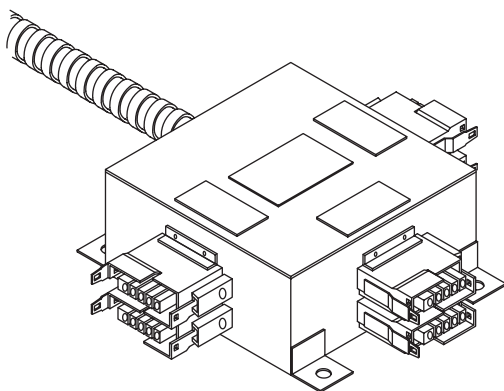




3-PORT DBL MAIN DISTRIBUTION BOX



Description

The Main Distribution Box (MDB) is the heart of the ACS/Uni-fab Modular Wiring System. It provides power to the Access Floor Modules and/or SDB Distribution Boxes via Double Port Extender Cables and/or Extender Cables.

The Home Run Cable is prewired to the MDB with the length of cable determined by the distance between the designated area to the electrical panel or junction box location.

Catalog Number

1 MDB 3 AG / A - D - *

