

**INTELLIGENT
FLOOR™**



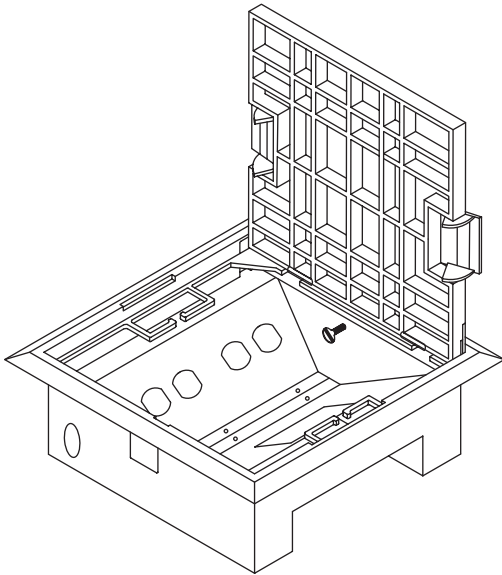
AFC

ACS/Uni-Fab

2505 Merritt Drive
Garland, TX. 75041-6146
Tel : (972) 278-3888
Fax : (972) 278-8585
www.afcweb.com/uni-fab

AFM35 SERIES ACCESS FLOOR MODULE

Description



The AFM35 series Access Floor Module provides both power and telecommunication compartments for raised floors with a minimum height of 3-1/2 inches. The power compartment is designed for two (2) duplex receptacles, and the telecomm compartment can accept 2 duplex data plate which can accommodate up to 6 data ports. The lid is suitable for both carpet and tile applications.

The AFM35 series Access Floor Box can be provided with normal power, isolated ground power or both normal and isolated ground power. Branch circuit power is carried through a Whip End Extender Cable to the AFM.

Dimensions for the AFM35 Series Access Floor Box is 3-1/2 inches deep x 8 inch square. Access Floor Box requires an 8-5/8" x 8-5/8" ± 1/16" floor panel opening for proper installation.

Box to be assembled and the receptacle power to be installed and wired by electrical contractor.

Duplex receptacles provided by others.