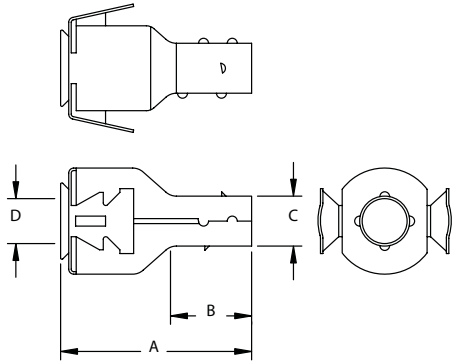
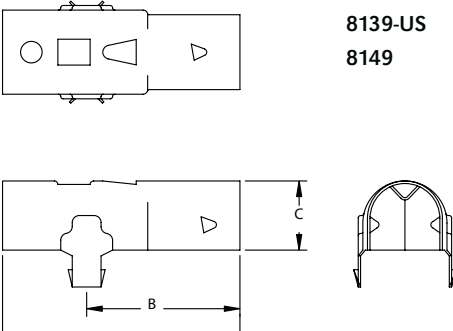


"Snap-Lok" Flexible Metal Conduit Connectors

8131
8131-US



8139-US
8149



Features/Industry Standards

- Time-saving, snap-in design for quick and easy installation
- No locknut to use or lose
- No installation tools required
- Automated assembly is easy – perfect for fast fixture whips
- An anti-short sleeve comes with the 90° connectors at no additional charge
- Ideal for machine-fed installation
- Quality spring steel construction for maximum reliability and vibration resistance
- UL Standard 514B, UL Listed File # E-120009
- CSA Certified File # LR-84516

Specification/Ordering Information

Straight Connectors

PRODUCT CODE	CATALOG NUMBER	WEIGHT PER/C	TRADE SIZE	DIMENSION IN INCHES				CARTON COUNT	
				A	B	C	D	INNER	MASTER
8131	8131	3	3/8"	1-17/32	11/16	7/16	1/2	500	2000
8131-US	8131-US	3	3/8"	1-17/32	11-16	7/16	1/2	500	1000
90° Connectors									
8139-US	8139-US	3	3/8"	2-1/16	13/16	9/16	N/A	500	1000
8149	8149	5	1/2"	2-1/16	N/A	13/16	N/A	*	450