

Malleable Liquidtight Insulated Fittings



Specification/Ordering Information

Straight Insulated

| PRODUCT CODE | CATALOG NUMBER | WEIGHT PER/C | TRADE SIZE | DIMENSION IN INCHES | | | CARTON INNER | COUNT MASTER |
|--------------|----------------|--------------|------------|---------------------|--------|--------|--------------|--------------|
| | | | | A | B | C | | |
| 4201-22-00 | LSI-38 | 16 | 3/8" | 1.0629 | 0.4800 | 1.1020 | 25 | 250 |
| 4202-22-00 | LSI-50 | 22 | 1/2" | 1.0826 | 0.4800 | 1.2990 | 25 | 250 |
| 4203-20-00 | LSI-75 | 31 | 3/4" | 1.3385 | 0.5110 | 1.5354 | 20 | 200 |
| 4204-10-00 | LSI-100 | 40 | 1" | 1.3976 | 0.6690 | 1.7716 | 10 | 100 |
| 4205-05-00 | LSI-125 | 74 | 1-1/4" | 1.4760 | 0.7200 | 2.1650 | 5 | 50 |
| 4206-04-00 | LSI-150 | 103 | 1-1/2" | 1.7200 | 0.8260 | 2.4800 | 4 | 40 |
| 4207-03-00 | LSI-200 | 163 | 2" | 2.000 | 0.9170 | 2.9330 | 3 | 30 |
| 4208-05-00 | LSI-250 | 260 | 2-1/2" | 2.5200 | 1.2800 | 3.8780 | * | 5 |
| 4209-05-00 | LSI-300 | 380 | 3" | 2.5300 | 1.3385 | 4.6260 | * | 5 |
| 4210-05-00 | LSI-350 | 440 | 3-1/2" | 2.4400 | 1.4170 | 5.1180 | * | 5 |
| 4211-05-00 | LSI-400 | 540 | 4" | 2.5590 | 1.4763 | 5.7480 | * | 5 |

45° Insulated

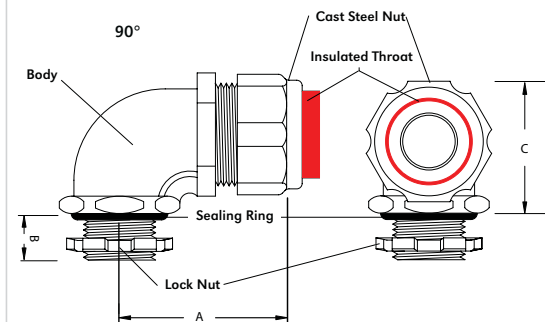
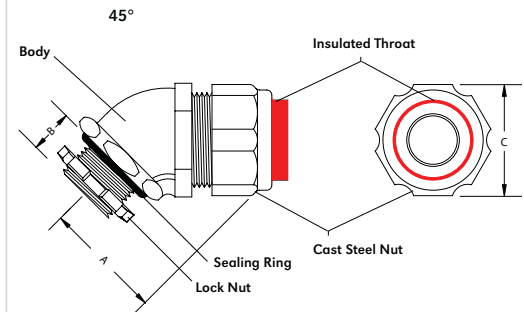
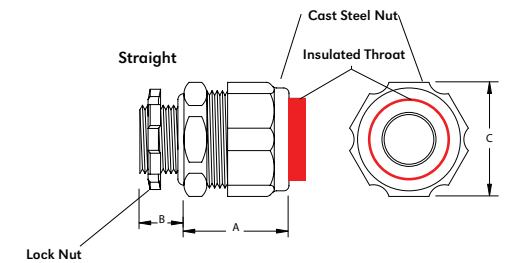
| | | | | | | | | |
|------------|---------|------|--------|--------|--------|--------|----|-----|
| 4301-15-00 | LI-438 | 25 | 3/8" | 1.2400 | 0.4800 | 1.1020 | 15 | 150 |
| 4302-15-00 | LI-450 | 31 | 1/2" | 1.3980 | 0.4800 | 1.2990 | 15 | 150 |
| 4303-10-00 | LI-475 | 42 | 3/4" | 1.6730 | 0.5110 | 1.5354 | 10 | 100 |
| 4304-05-00 | LI-4100 | 56 | 1" | 1.8891 | 0.6690 | 1.7716 | 5 | 50 |
| 4305-04-00 | LI-4125 | 110 | 1-1/4" | 2.2040 | 0.7200 | 2.1650 | 4 | 40 |
| 4306-03-00 | LI-4150 | 160 | 1-1/2" | 2.4400 | 0.8260 | 2.4800 | 3 | 30 |
| 4307-02-00 | LI-4200 | 245 | 2" | 3.0300 | 0.9170 | 2.9330 | 2 | 20 |
| 4308-01-00 | LI-4250 | 500 | 2-1/2" | 4.0940 | 1.2800 | 3.8780 | * | 1 |
| 4309-01-00 | LI-4300 | 700 | 3" | 4.5670 | 1.3385 | 4.6260 | * | 1 |
| 4311-01-00 | LI-4400 | 1200 | 4" | 5.6690 | 1.4763 | 5.7480 | * | 1 |

90° Insulated

| | | | | | | | | |
|------------|---------|------|--------|--------|--------|---------|----|-----|
| 4401-15-00 | LI-938 | 25 | 3/8" | 1.5354 | 0.4800 | 1.4170 | 15 | 150 |
| 4402-15-00 | LI-950 | 37 | 1/2" | 1.8110 | 0.4800 | 1.5354 | 15 | 150 |
| 4403-10-00 | LI-975 | 50 | 3/4" | 2.0470 | 0.5100 | 1.8500 | 10 | 100 |
| 4404-05-00 | LI-9100 | 68 | 1" | 2.1260 | 0.6690 | 2.1260 | 5 | 50 |
| 4405-04-00 | LI-9125 | 118 | 1-1/4" | 2.6378 | 0.7200 | 2.4800 | 4 | 40 |
| 4406-03-00 | LI-9150 | 200 | 1-1/2" | 3.0300 | 0.8260 | 3.0710 | 3 | 30 |
| 4407-02-00 | LI-9200 | 280 | 2" | 3.7790 | 0.9170 | 3.5000 | 2 | 20 |
| 4408-01-00 | LI-9250 | 700 | 2-1/2" | 6.8900 | 1.2800 | 6.5750 | * | 1 |
| 4409-01-00 | LI-9300 | 1100 | 3" | 7.4400 | 1.3385 | 7.7165 | * | 1 |
| 4410-01-00 | LI-9350 | 1300 | 3-1/2" | 8.4253 | 1.4170 | 8.8190 | * | 1 |
| 4411-01-00 | LI-9400 | 1300 | 4" | 9.5670 | 1.4763 | 10.3150 | * | 1 |

Features/Industry Standards

- Designed and engineered to ensure excellent performance
- Heavy-duty, impact resistant construction
- Factory installed "O" ring seals against lubricants and other liquids
- All malleable iron construction
- Full-size UL locknut
- Threaded locking mechanism ensures secure fit and better holding strength
- Outer bushing conforms to nut and conduit for fast and easy installation
- UL Standard 514B, UL Listed File # E-167170
- ANSI/NEMA FB-1
- C-UL certified for Canada
- Federal Specification A-A-50552
- NEC Classified: Class 1, Div. 2 per NEC 501.10(B)(2)(3)



Malleable Liquidtight Uninsulated Fittings

Features/Industry Standards

- Designed and engineered to ensure excellent performance
- Heavy-duty, impact resistant construction
- Factory installed "O" ring seals against lubricants and other liquids
- All malleable iron construction
- Full-size UL locknut
- Threaded locking mechanism ensures secure fit and better holding strength
- Outer bushing conforms to nut and conduit for fast and easy installation
- UL Standard 514B, UL Listed File # E-167170
- ANSI/NEMA FB-1
- C-UL certified for Canada
- Federal Specification A-A-50552

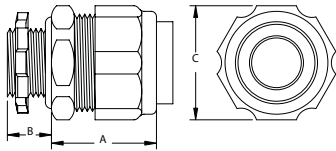


Specification/Ordering Information

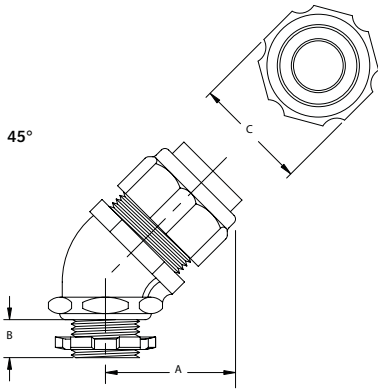
Straight Uninsulated

| PRODUCT CODE | CATALOG NUMBER | WEIGHT PER/C | TRADE SIZE | DIMENSION IN INCHES | | | CARTON DINNER | COUNT MASTER |
|--------------|----------------|--------------|------------|---------------------|--------|--------|---------------|--------------|
| | | | | A | B | C | | |
| 0601-22-00 | LS-38 | 16 | 3/8" | 1.0629 | 0.4800 | 1.1020 | 25 | 250 |
| 0602-22-00 | LS-50 | 22 | 1/2" | 1.0826 | 0.4800 | 1.2990 | 25 | 250 |
| 0603-20-00 | LS-75 | 31 | 3/4" | 1.3385 | 0.5110 | 1.5354 | 20 | 200 |
| 0604-10-00 | LS-100 | 40 | 1" | 1.3976 | 0.6690 | 2.7716 | 10 | 100 |
| 0605-05-00 | LS-125 | 74 | 1-1/4" | 1.4760 | 0.7200 | 2.1650 | 5 | 50 |
| 0606-04-00 | LS-150 | 103 | 1-1/2" | 1.7200 | 0.8260 | 2.4800 | 4 | 40 |
| 0607-03-00 | LS-200 | 163 | 2" | 2.0000 | 0.9170 | 2.9330 | 3 | 30 |
| 0608-05-00 | LS-250 | 260 | 2-1/2" | 2.5200 | 1.2800 | 3.8780 | * | 5 |
| 0609-05-00 | LS-300 | 380 | 3" | 2.5300 | 1.3385 | 4.6260 | * | 5 |
| 0610-05-00 | LS-350 | 440 | 3-1/2" | 2.440 | 1.4170 | 5.1180 | * | 5 |
| 0611-05-00 | LS-400 | 540 | 4" | 2.5590 | 1.4763 | 5.7480 | * | 5 |

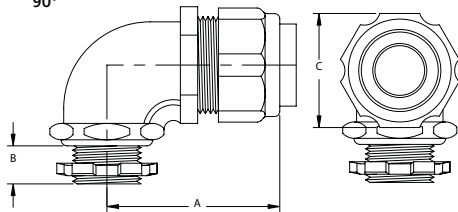
Straight



45°



90°



45° Uninsulated

| | | | | | | | | |
|------------|--------|------|--------|--------|--------|--------|----|-----|
| 0701-15-00 | L4-38 | 25 | 3/8" | 1.2400 | 0.4800 | 1.1020 | 15 | 150 |
| 0702-15-00 | L4-50 | 31 | 1/2" | 1.3980 | 0.4800 | 1.2990 | 15 | 150 |
| 0703-10-00 | L4-75 | 42 | 3/4" | 1.6730 | 0.5110 | 1.5354 | 10 | 100 |
| 0704-05-00 | L4-100 | 56 | 1" | 1.8891 | 0.6690 | 1.7716 | 5 | 50 |
| 0705-04-00 | L4-125 | 110 | 1-1/4" | 2.2040 | 0.7200 | 2.1650 | 4 | 40 |
| 0706-03-00 | L4-150 | 160 | 1-1/2" | 2.4400 | 0.8260 | 2.4800 | 3 | 30 |
| 0707-02-00 | L4-200 | 245 | 2" | 3.0300 | 0.9170 | 2.9330 | 2 | 20 |
| 0708-01-00 | L4-250 | 500 | 2-1/2" | 4.0940 | 1.2800 | 3.8780 | * | 1 |
| 0709-01-00 | L4-300 | 700 | 3" | 4.5670 | 1.3385 | 4.6260 | * | 1 |
| 0711-01-00 | L4-400 | 1200 | 4" | 5.6690 | 1.4763 | 5.7480 | * | 1 |

90° Uninsulated

| | | | | | | | | |
|------------|--------|------|--------|--------|--------|---------|----|-----|
| 0801-15-00 | L9-38 | 25 | 3/8" | 1.5354 | 0.4800 | 1.4170 | 15 | 150 |
| 0802-15-00 | L9-50 | 37 | 1/2" | 1.8110 | 0.4800 | 1.5354 | 15 | 150 |
| 0803-10-00 | L9-75 | 50 | 3/4" | 2.0470 | 0.5110 | 1.8500 | 10 | 100 |
| 0804-05-00 | L9-100 | 68 | 1" | 2.1260 | 0.6690 | 2.1260 | 5 | 50 |
| 0805-04-00 | L9-125 | 118 | 1-1/4" | 2.6378 | 0.7200 | 2.4800 | 4 | 40 |
| 0806-03-00 | L9-150 | 200 | 1-1/2" | 3.0300 | 0.8260 | 3.0710 | 3 | 30 |
| 0807-02-00 | L9-200 | 280 | 2" | 3.7790 | 0.9170 | 3.500 | 2 | 20 |
| 0808-01-00 | L9-250 | 700 | 2-1/2" | 6.8900 | 1.2800 | 6.5750 | * | 1 |
| 0809-01-00 | L9-300 | 1100 | 3" | 7.4400 | 1.3385 | 7.7165 | * | 1 |
| 0810-01-00 | L9-350 | 1300 | 3-1/2" | 8.4253 | 1.4170 | 8.8190 | * | 1 |
| 0811-01-00 | L9-400 | 1300 | 4" | 9.5670 | 1.4763 | 10.3150 | * | 1 |