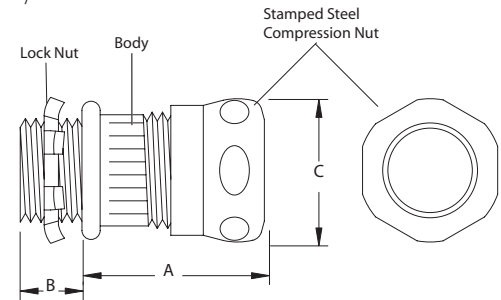


Steel Compression Connectors



1/2" - 4"

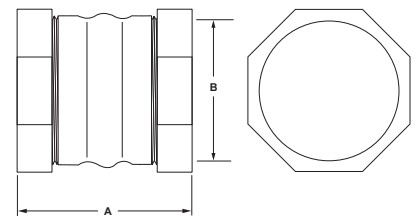


Features/Industry Standards

- Strong steel construction
- Stamped steel nut on 1/2"-2"
- Malleable nut on 2-1/2"-4" for better grip*
- Connectors available with and without insulated throats
- UL listed concrete tight 1/2"-4" (taping not required)
- UL Standard 514B, UL Listed File # E-172239*
- C-UL Listed for Canada
- Federal Specification A-A-50553A
- ANSI/NEMA FB-1

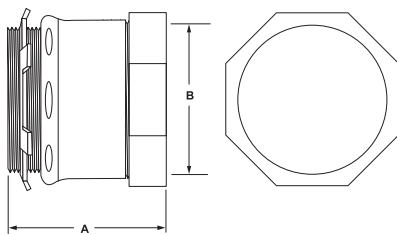
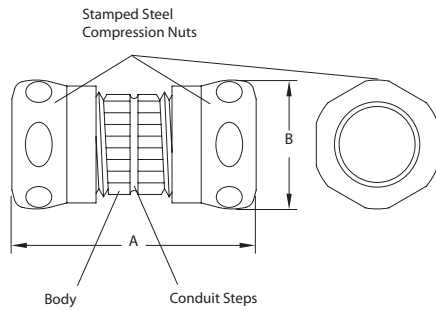
Specification/Ordering Information

PRODUCT CODE	CATALOG NUMBER	WEIGHT PER/C	TRADE SIZE	DIMENSION IN INCHES			CARTON COUNT	
				A	B	C	INNER	MASTER
0202-24-00	CC-50	13	1/2"	1.614	0.354	1.102	50	500
0203-22-00	CC-75	18	3/4"	1.898	0.535	1.898	25	250
0204-20-00	CC-100	27	1"	2.106	0.421	1.654	20	200
0205-10-00	CC-125	48	1-1/4"	2.677	0.600	1.969	10	100
0206-10-00	CC-150	60	1-1/2"	3.071	0.650	2.244	10	100
0207-05-00	CC-200	82	2"	3.268	0.650	2.717	5	50
0208-08-00	CC-250	152	2-1/2"	3.780	0.748	3.760	*	8
0209-06-00	CC-300	211	3"	4.291	0.827	4.567	*	6
0210-04-00	CC-350	242	3-1/2"	4.449	0.945	5.079	*	4
0211-04-00	CC-400	287	4"	4.803	0.984	5.079	*	4
Insulated Throat								
0212-24-00	CCI-50	13	1/2"	1.614	0.354	1.102	50	500
0213-22-00	CCI-75	18	3/4"	1.898	0.535	1.898	25	250
0214-20-00	CCI-100	27	1"	2.106	0.421	1.654	20	200
0215-10-00	CCI-125	48	1-1/4"	2.677	0.600	1.969	10	100
0216-10-00	CCI-150	60	1-1/2"	3.071	0.650	2.244	10	100
0217-05-00	CCI-200	82	2"	3.268	0.650	2.717	5	50
0218-08-00	CCI-250	152	2-1/2"	3.780	0.748	3.760	*	8
0219-06-00	CCI-300	211	3"	4.291	0.827	4.567	0	6
0220-04-00	CCI-350	242	3-1/2"	4.449	0.945	5.079	*	4
0221-04-00	CCI-400	287	4"	4.803	5.709	0.984	*	4



Steel Compression Couplings

1/2" – 2"



Features/Industry Standards

- Strong steel construction
- Stamped steel nut on 1/2"-2"
- Malleable nut on 2-1/2"-4" for better grip*
- Connectors available with and without insulated throats
- UL Standard 514B, UL Listed File # E-172239*
- C-UL Listed for Canada
- Federal Specification A-A-50553A

Specification/Ordering Information

PRODUCT CODE	CATALOG NUMBER	WEIGHT PER/C	TRADE SIZE	DIMENSION IN INCHES		CARTON INNER	COUNT MASTER
				A	B		
0302-24-00	CK-50	12	1/2"	2.031	1.102	50	500
0303-22-00	CK-75	24	3/4"	2.094	1.382	25	250
0304-20-00	CK-100	35	1"	2.256	1.654	20	200
0305-10-00	CK-125	50	1-1/4"	3.150	1.969	10	100
0306-10-00	CK-150	60	1-1/2"	3.228	2.244	10	100
0307-05-00	CK-200	80	2"	3.307	2.717	5	50
0308-08-00	CK-250	213	2-1/2"	4.882	3.760	*	8
0309-06-00	CK-300	267	3"	5.276	4.528	*	6
0310-04-00	CK-350	375	3-1/2"	5.512	5.079	*	4
0311-04-00	CK-400	425	4"	5.709	5.630	*	4